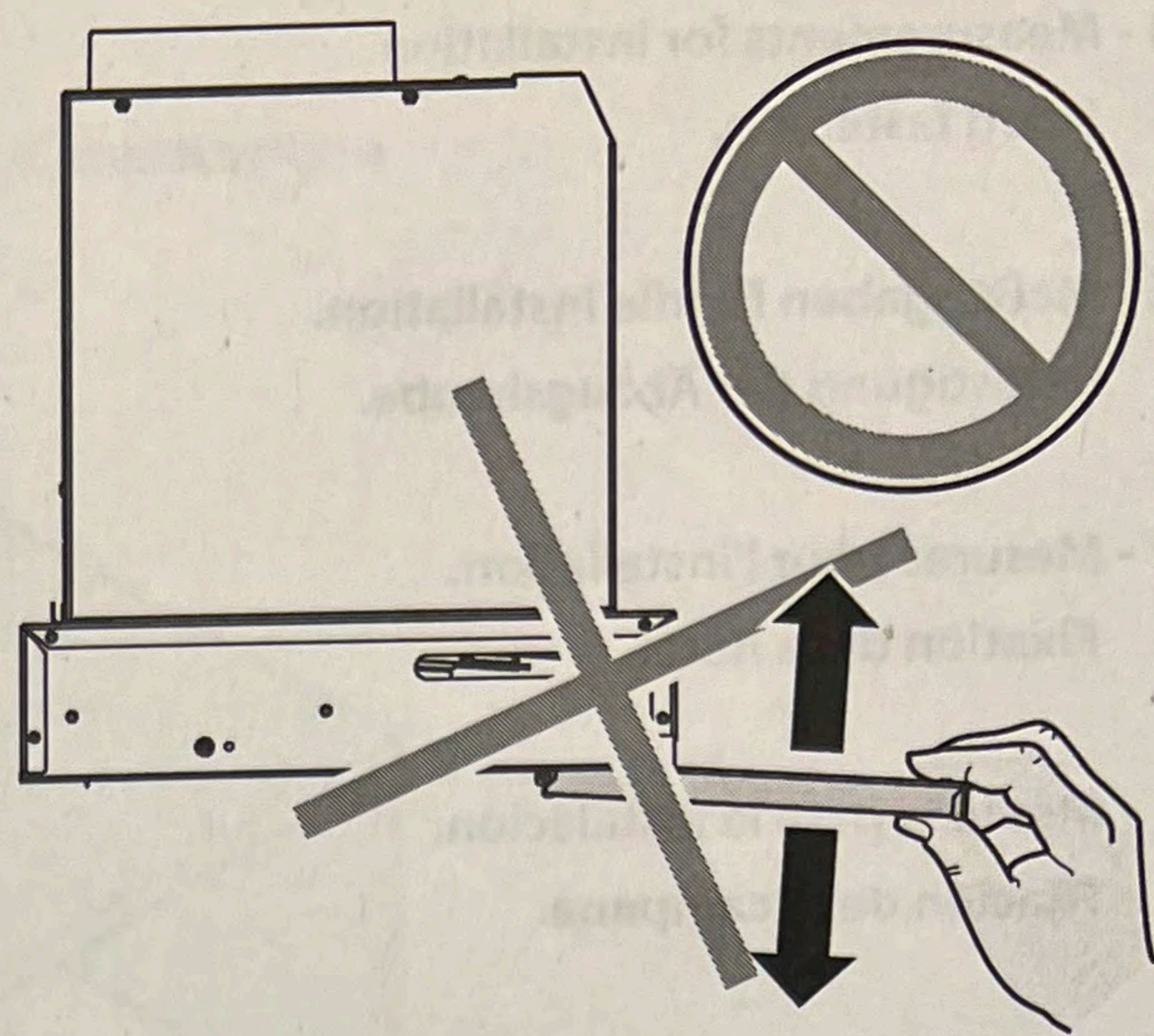
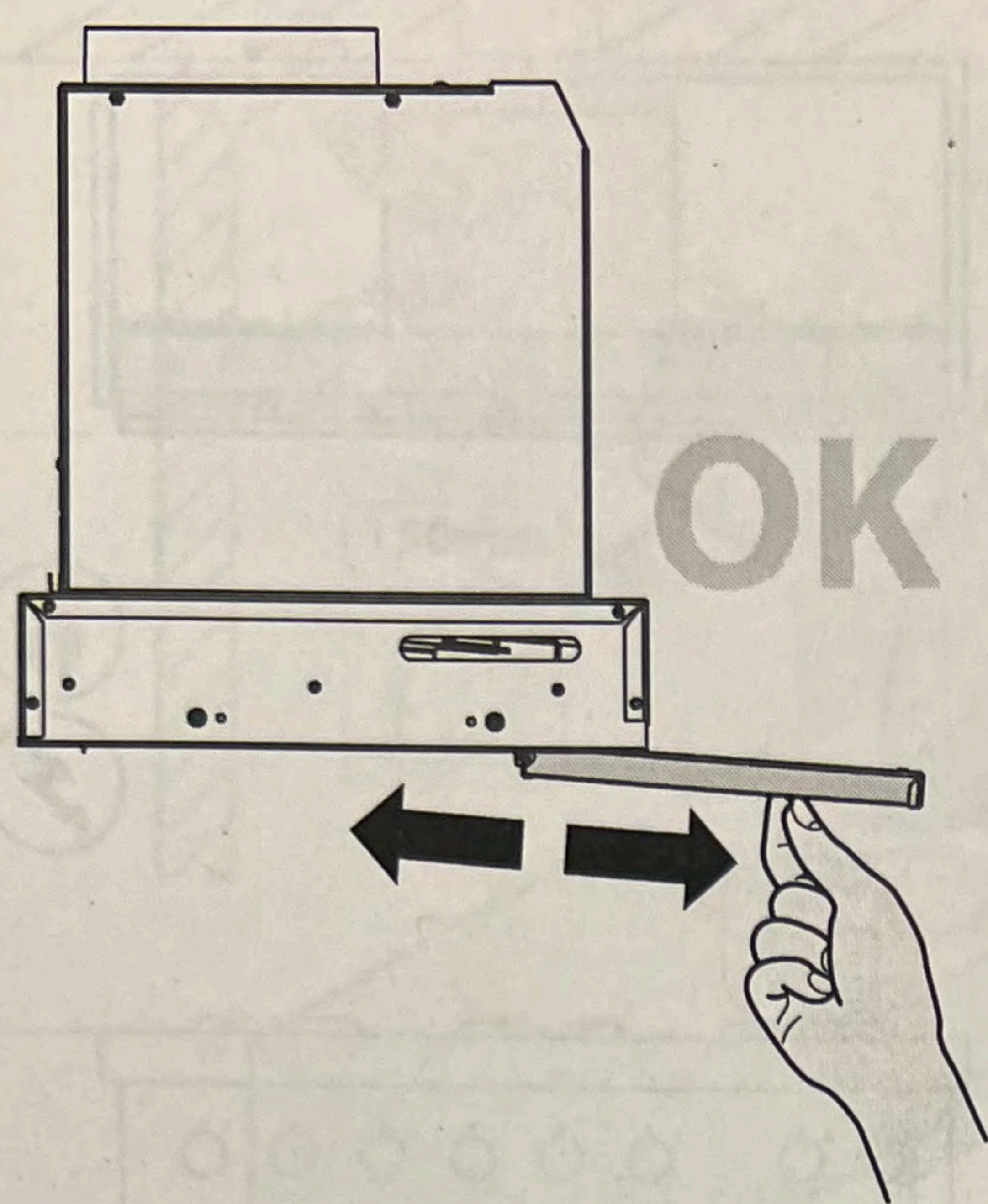




# ATTENTION



## IT - ATTENZIONE!

Non premere verso l'alto durante le operazioni di apertura e chiusura del pannello scorrevole al fine di evitare danni estetici al pannello stesso

## EN - WARNING!

Do not push upwards while opening or closing the sliding panel to prevent aesthetic damage to the panel.

## DE - ACHTUNG!

Beim Öffnen und Schließen der Schiebeplatte nicht nach oben drücken, damit die Platte keine Schönheitsfehler erleidet.

## FR - ATTENTION!

Ne pas appuyer vers le haut lors des opérations d'ouverture et de fermeture du panneau coulissant afin d'éviter tout dommage esthétique du panneau.

## ES - ATENCIÓN!

No presione hacia arriba durante las operaciones de apertura y cierre del panel corredizo para evitar daños estéticos al mismo.

## PT - ATENÇÃO!

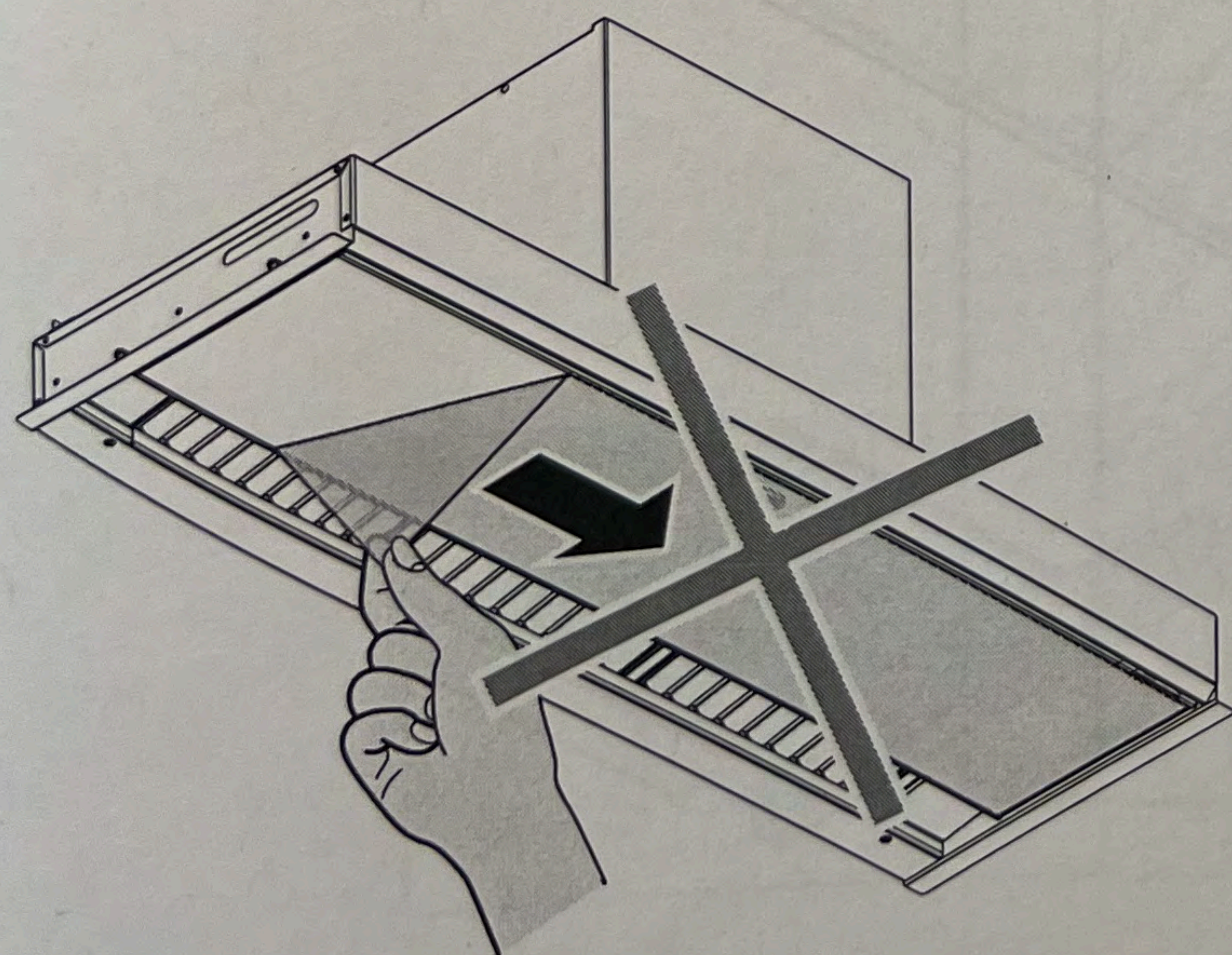
Não pressionar para cima durante as operações de abertura e fecho do painel deslizante de modo a evitar danos estéticos ao próprio painel.

## RU - ВНИМАНИЕ!

Не нажимать вверх во время операций по открытию или закрытию раздвижной панели, во избежание нанесения эстетических повреждений самой панели.



# ATTENTION



## IT - ATTENZIONE!

Rimuovere la pellicola protettiva dal pannello scorrevole, solo a montaggio completamente effettuato.

## EN - WARNING!

Only peel off the protective film from the sliding panel after completing assembly.

## DE - ACHTUNG!

Die Schutzfolie von der Schiebeplatte erst nach vollständig erfolgter Montage abziehen.

## FR - ATTENTION!

Enlever le film protecteur du panneau coulissant seulement lorsque le montage est terminé.

## ES - ATENCIÓN!

Quite la película de protección del panel corredizo solamente cuando el montaje esté completamente finalizado.

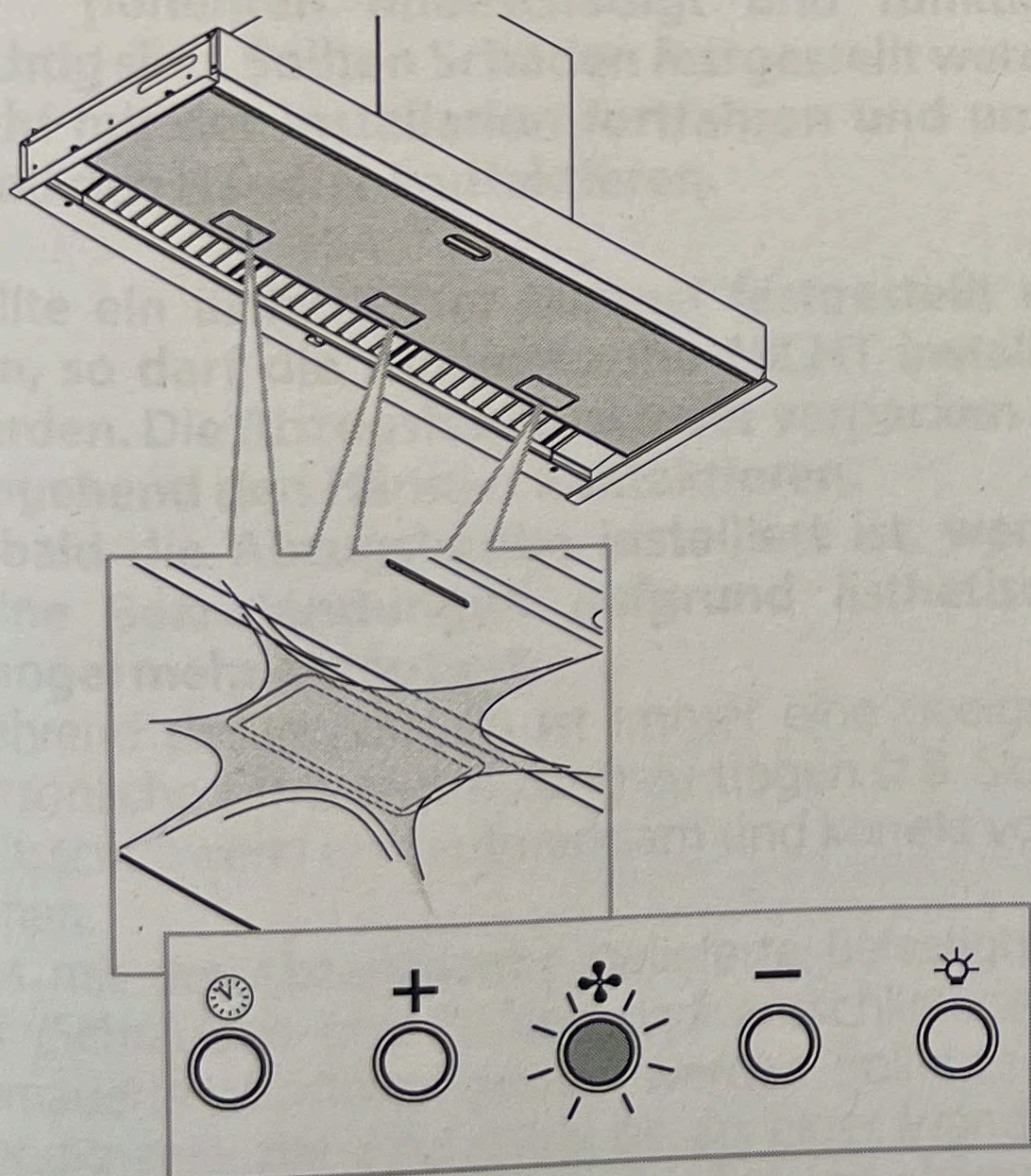
## PT - ATENÇÃO!

Remover a película protetora do painel deslizante, apenas com a montagem completamente efetuada.

## RU - ВНИМАНИЕ!

Снять защитную плёнку с раздвижной панели только после полного монтажа панели.

<b>Motor ON/OFF</b>																					
	 <b>OFF</b>																				
	 <b>ON</b> At start-up, the speed is 1.																				
	<b>Increase speed from 1 to 4</b> Speed 4 is only active for a few minutes, then speed 3 activates.																				
	<b>Reduce speed from 4 to 1</b>																				
The speeds are indicated by the LEDs on the keys: <table style="margin-left: 20px;"> <tr> <td></td> <td></td> <td></td> <td></td> <td>Speed 1</td> </tr> <tr> <td></td> <td></td> <td></td> <td></td> <td>Speed 2</td> </tr> <tr> <td></td> <td></td> <td></td> <td></td> <td>Speed 3</td> </tr> <tr> <td></td> <td></td> <td></td> <td></td> <td>Speed 4</td> </tr> </table> ("+" LED flashing)						Speed 1					Speed 2					Speed 3					Speed 4
				Speed 1																	
				Speed 2																	
				Speed 3																	
				Speed 4																	
	<b>Light on/off</b> <b>Short impulse:</b> turn light on and off <b>Long impulse:</b> change light tone from 2700K to 5600K																				
	<b>TIMER</b> (red LED flashing) Auto switch-off after 15 min. The function deactivates (red LED off) if: - The TIMER key (🕒) is pressed again. - The ON/OFF key (🌀) is pressed.																				
	<b>FILTER ALARM</b> (red LED steady on with 🌀 off) Anti-grease filter maintenance after approximately 30 hours of operation. Press (🕒) the meter for 3 seconds to reset.																				



If the pushbutton panel is completely inactive, before contacting the Technical assistance service, disconnect power temporarily to the appliance (about 5"), possibly by acting on the main switch, to restore normal operation. If this measure has no effect, contact the Technical assistance service.

**MAINTENANCE**

Before cleaning or carrying out maintenance operations, disconnect the equipment by removing the plug or switching off the main switch.

**Do not use detergents containing abrasive, acidic or corrosive substances or abrasive cloths.**

Regular maintenance guarantees proper operation and performance over time.

Special attention is to be paid to the **metal anti-grease filters**: frequent cleaning of the filters and their supports ensures that no flammable grease is accumulated.

**CLEANING OF EXTERNAL SURFACES**

You are advised to clean the external surfaces of the hood **at least once every 15 days** to prevent oily substances and grease from sticking to them. To clean the brushed stainless steel hood, the Manufacturer recommends using "Magic Steel" wipes.

Alternatively **and for all the other types of surfaces**, it can be cleaned using a damp cloth, slightly moistened with mild, liquid detergent or denatured alcohol.

Complete cleaning by rinsing well and drying with soft cloths.

**Do not use too much moisture or water around the push button control panel and lighting devices in order to prevent humidity from reaching electronic parts.**

The glass panels can only be cleaned with specific, non-corrosive or non-abrasive detergents using a soft cloth.

The Manufacturer declines all responsibility for failure to comply with these instructions.

**CLEANING OF INTERNAL SURFACES**

**Do not clean electrical parts, or parts related to the motor inside the hood, with liquids or solvents.**

For the internal metal parts, see the previous paragraph.

**ANTI-GREASE FILTERS**

It is advised to **frequently** wash the filters (**at least once a month**) leaving them to soak in boiling water and cleaning solution for 1 hour, taking care not to bend them.

Do not use corrosive, acid or alkaline detergents.

Rinse them well and wait for them to be completely dry before reassembling them.

Washing in a dishwasher is permitted.

To extract and insert the metal anti-grease filters see the assembly instructions.

**CARBON AND ZEOLITE FILTERS (OPTIONAL) KACL.961**

In normal use conditions, we recommend regenerating the zeolite-carbon filter every 9 months and replacing it after 18 months. Simply place it in a domestic oven at a temperature of 200°C for approximately 1 hour to regenerate it.

Wait until the filter cools before reassembling it.

**LIGHTING**

The range hood is equipped with high efficiency, low consumption LED lighting with extremely long duration under normal use conditions.

In case of failure, contact the Dealer or an authorised Servicing Department for repairs.